

Operation and Service Manual for HERMetic OXY all versions



Note: before using the instrument please read this book.



This document is subject to changes without notice.
Check updates on www.tanksystem.com or contact us at tanksystem@honeywell.com

1. Table of contents

<u>1.</u>	<u>TABLE OF CONTENTS</u>	<u>2</u>
<u>2.</u>	<u>GENERAL</u>	<u>3</u>
<u>3.</u>	<u>RECOMMENDATION FOR SAFE USE</u>	<u>3</u>
<u>4.</u>	<u>GENERAL INFORMATION</u>	<u>4</u>
4.1	DISCLAIMER	4
4.2	SHIPMENT NOTE	4
4.3	INITIAL INSPECTION	4
4.4	DOCUMENTATION DISCREPANCIES	4
4.5	WARRANTY	4
4.6	SPARE PARTS	5
4.7	SERVICE AND REPAIR	5
<u>5.</u>	<u>WORLDWIDE SERVICE STATIONS NETWORK</u>	<u>7</u>
<u>5.</u>	<u>OPERATION</u>	<u>9</u>
<u>6.</u>	<u>MAINTENANCE</u>	<u>9</u>
6.1	CARE	9
<u>7.</u>	<u>DRAWINGS</u>	<u>10</u>

2. General

The HERMetric OXY is designed for sampling inert gas in closed tanks before crude oil washing. It consists of a rubber sampling hose with an on-line valve at the upper end, an open hose end for connecting to a portable gas analyzer (not supplied with the OXY), a weight at the lower end and an adapter with a hose adjusting nut.

It is made for connecting to the HERMetric valves. When the OXY is connected to the valve, the operation is carried out with negligible escape of gas to the atmosphere.

3. Recommendation for safe use

This Operation and Service Manual is a guide in order to help the user to operate the instrument safely and correctly.

Nevertheless the maker disclaims all responsibility and liability for damage resulting from the use of the equipment regardless of the cause of the damage.

The I.M.O. requirements on Tanker Safety and Pollution Prevention, 1978 - resolution A.446 (XI) - § 6.6 states:

“Before each tank is crude oil washed, the oxygen level shall be determined at a point 1 meter from the deck and at the middle region of the ullage space and neither of these determinations shall exceed 8 per cent by volume.”

This product and his use is / may be related to international, national, local or company regulations or standards. It is the customer / user responsibility to ensure that the way to use the device complies with such applicable regulations or standards.

This device is a portable product. It must not be permanently installed on the tank and must be disconnected after use and stored in a safe and dry area.

4. General information

4.1 Disclaimer

This manual is designed and written to provide information with regard to the subject matter involved. Enraf Tankssystem SA makes no warranty, express or implied, that it is fit for any purpose whatsoever; or to the absolute sufficiency of the material presented.

Enraf Tankssystem SA assumes no responsibility for any inaccuracies in reproduction or errors in interpretation of any authority. Enraf Tankssystem SA reserves the right to modify or amend this manual, without prior notification, but Enraf Tankssystem SA assumes no responsibility to update or issue corrections.

4.2 Shipment note

The following parts should be included in the shipment:

- 1 instrument;
- 1 Operation and Service Manual.

4.3 Initial inspection

Check the contents of the shipment for completeness and note whether any damage has occurred during transport. Carry out the "Initial test before installing the instrument" to verify the good functioning. If the contents are incomplete, or if there is damage, do not use the device. A claim should be filled with the carrier immediately, and Enraf Tankssystem SA Sales or Service organization should be notified in order to facilitate the repair or replacement of the instrument.

4.4 Documentation discrepancies

The design of the instrument is subject to continuous development and improvement. Consequently, the instrument may incorporate minor changes in detail from the information contained in the manual.

4.5 Warranty

12 months after installation but max. 18 months after delivery ex works.

The Vendor undertakes to remedy any defect resulting from faulty design materials or workmanship. The Vendor's obligation is limited to the repair or replacement of such defective parts by his own plant or one of his authorized service stations. The Purchaser shall bear the cost and risk of transportation of defective parts and repaired parts supplied in replacement of such defective parts.

This warranty does not apply to those items which by their nature are subject to deterioration or consumption in normal service, and which must be cleaned, or replaced on a routine basis.

When returned to Enraf Tankssystem SA equipment must be contamination-free. If it is determined that the Purchaser's equipment is contaminated, it will be returned to the Purchaser at the Purchaser's expense. Contaminated equipment will not be repaired, replaced, or covered under any warranty until such time that the Purchaser decontaminates the said equipment.

The Purchaser shall notify by fax, telex or in writing of any defect immediately upon discovery, specifying the nature of the defect and/or the extent of the damage caused thereby.

Where no other conditions have been negotiated between the Vendor and the Purchaser "General Conditions 188" of United Nations shall apply.

Unauthorized repair or component replacement by non original spare parts by the Purchaser will void this guarantee and may impair the good functioning of the instrument.

This warranty is expressly in lieu of any and all other warranties and representations expressed or implied, and all other obligations or liabilities on the part of the Vendor (Enraf Tankssystem SA) including but not limited to, the warranty of merchantability or fitness for a particular purpose.

In no event shall Enraf Tankssystem SA be liable for indirect, incidental or consequential loss or

damage or failure of any kind connected with the use of its products or failure of its products to function or operate properly.

Enraf Tanksystem SA do not assume the indemnification for any accident or damage caused by the operation of its product and the warranty is limited to the replacement of parts or complete goods.

4.6 Spare parts

When ordering spares identify the spare part by TS number and description. Refer to section "Drawings".

Some spares might be repairable; in this case send part to any authorized service center or to the factory.

In case of urgency replacement units can be available while stocks last.

4.7 Service and Repair

The customer should take care of the freight and customs clearance charges. If units are sent on "freight collect " the charges will be invoiced to the customer.

When returning units or parts for repair to the factory please fill out a service request form (see next page).

Service Request

Customer's address:
.....
.....
.....
.....

Telephone:

Telex:

Fax:

Type of unit or part:

Short description of defective unit or part:

Do you want a quotation before repair is started:.....yes / no.....

Repaired unit has to be returned to the following address:

.....
.....
.....
.....
.....

5. Worldwide Service Stations network

The updated list can be found on our website www.tanksystem.com

COUNTRY	ADDRESS	TELEPHONE/FAX/E-MAIL
SWITZERLAND	ENRAF TANKSYSTEM SA 2, rue de l'Industrie CH-1630 BULLE	Tel : +41-26-91 91 500 Fax : +41-26-91 91 505 Tanksystem@honeywell.com
CANADA	PYLON ATLANTIC A Div. Of Pylon Electronics Inc. 31 Trider Crescent., DARTMOUTH, N.S. B3B 1V6	Tel : +1-902-4683344 Fax : +1-902-4681203 halifax_csr@pylonelectronics.com
CHINA	HUA HAI EQUIPMENT & ENGINEERING CO LTD Factory 7, Lane 1365, East Kang Qiao Road Kang Qiao Industrial Zone, Pu Dong SHANGHAI, P.C. 201315	Tel : +86-21-68183183 Fax : +86-21-68183115 huahaish@huahaiee.com
GREECE	SPANMARIN 86, Filonos Street GR-185 36 PIRAEUS	Tel : +30-210-4294498 Fax : +30-210-4294495 spanmarin@ath.forthnet.gr
JAPAN	DAIWA HANBAI CORPORATION LTD 2-10-31, Mitejima, Nishiyodogawa-ku OSAKA 555-0012	Tel : +81-6-64714701 Fax : +81-6-64729008 daiwa471@silver.ocn.ne.jp
KOREA	World Ocean CO., LTD Rm1001, Hae-deok Bldg., 1212-11 Choryang-dong Dong-Gu BUSAN	Tel : +82-51-462-2554/5 Fax : +82-51-462-0468 marine@worldocean.co.kr
MEXICO	URBAN DEL GOLFO S.A. DE C.V. Ave. Ejército Mexicano 1902 Col. Loma del Gallo 89460 CD. MADERO, TAMPS. MEXICO	Tel : +52-833-2170190 Fax : +52-833-2170190 urbansa@prodigy.net.mx
NETHERLANDS	B.V. TECHNISCH BUREAU UITTENBOGAART Brugwachter 13 NL-3034 KD ROTTERDAM	Tel : +31-10-4114614 Fax : +31-10-4141004 info@tbu.nl

The updated list can be found on our website www.tanksystem.com

COUNTRY	ADDRESS	TELEPHONE/FAX/E-MAIL
PORTUGAL	CONTROLIS Soc. Com. Equipamentos de Controlo, Lda. Rua Conceição Sameiro Antunes, 26E 2800-379 COVA DA PIEDADE	Tel : +351-21-2740606 Fax : +351-21-2740897 controlis@netc.pt
RUSSIA	NPP "GERDA" Vilisa Latsisa str. 17 Building 1 125480 MOSCOW	Tel : +7-495-7558845 Fax : +7-495-7558846 info@gerda.ru
SINGAPORE	HUBBELL INT'L (1976) PTE LTD 322 Thomson Road SINGAPORE 307665	Tel : +65-6-2557281 Tel : +65-6-2550464 Fax : +65-6-2532098 hubbell@mbox2.singnet.com.sg
SPAIN	E.N.I. Electronica y Neumatica Industrial, S.A. C/Jon Arrospide, 20 (Int.) 48014 BILBAO	Tel : +34-94-4746263 Fax : +34-94-4745868 eni.tecnica@eni.es
SWEDEN	INSTRUMENTKONTROLL Lars Petersson AB Varholmsgatan 1 414 74 GÖTEBORG	Tel : +46-31-240510 Tel : +46-31-240525 Fax : +46-31-243710 Info@instrumentkontroll.se
TURKEY	YEDI DENIZ Setustu, Izzetpasa Yok.1 TR 34427 Kabatas ISTANBUL	Tel : +90.212.251 64 10 / 3 lines Fax : +90.212.251 05 75 servicestation@yedideniz.net
UNITED ARAB EMIRATES	MARITRONICS TRADING L.L.C. P.O. Box 6488 Shed # 72, Jadaf Ship Docking Yard DUBAI	Tel : +971-4-3247500 Fax : +971-4-3242500 service@maritronics.com
UNITED KINGDOM	ENERGY MARINE (INTERNATIONAL) LTD. 12 Clipstone Brook Industrial Estate Cherrycourt Way LEIGHTON BUZZARD, BEDS LU7 4TX	Tel : +44-1525-851234 Fax : +44-1525-852345 info@engmar.com
U.S.A / TEXAS	HONEYWELL HERMETIC 4522 Center Street DEER PARK, TX 77536	Tel : +1-281-930 1777 Fax : +1-281-930 1222 Toll free call in the USA: 1-800-900 1778 hermetic@honeywell.com

5. Operation

1. Check that the on-line valve and the HERMetic valve are properly closed.
2. install the HERMetic OXY on the HERMetic valve via the quick coupling device.
3. Open the valve.
4. Slacken the adjusting nut on top of the OXY adapter to allow the sampling hose to be lowered to the desired level.
5. When the level is reached tighten the adjusting nut to secure the hose in position.
6. Install the monitoring equipment (gas analyser, not supplied with the OXY) at the free end of the ose.
7. Open the on-line valve.
8. Follow the operation instructions of the monitoring equipment manufacturer.
9. When the oxygen content is determined, close the on-line valve, slacken the adjusting nut and pull out the hose.
10. Take care not to damage the hose when through edge of hatch cover.
11. When the weight is stored in the OXY tube, close the HERMetic Compact/Deck valve and remove the OXY.
12. Clean the OXY the next check..

6. Maintenance

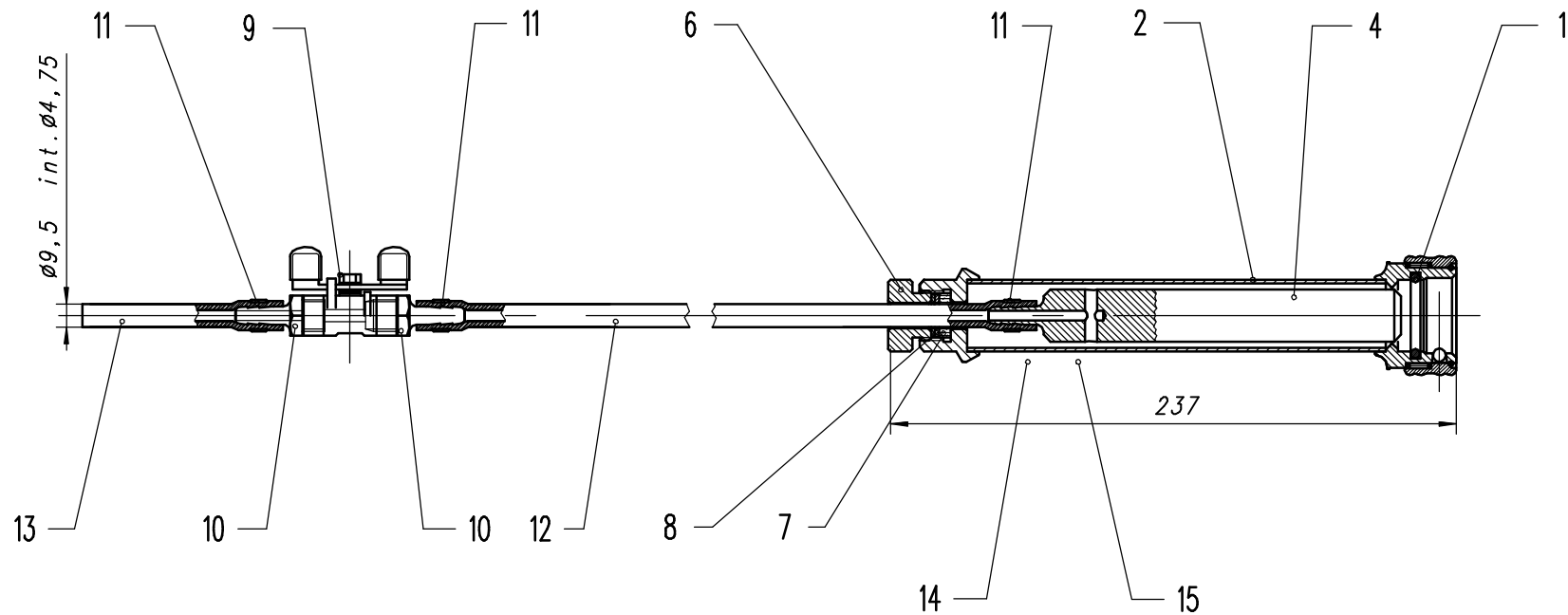
6.1 Care

For long working life, keep the HERMetic OXY clean and well lubricated and, when not in use, stored it in a dry and protected location.

When ordering spare parts, always state the drawing and the item number.

7. Drawings

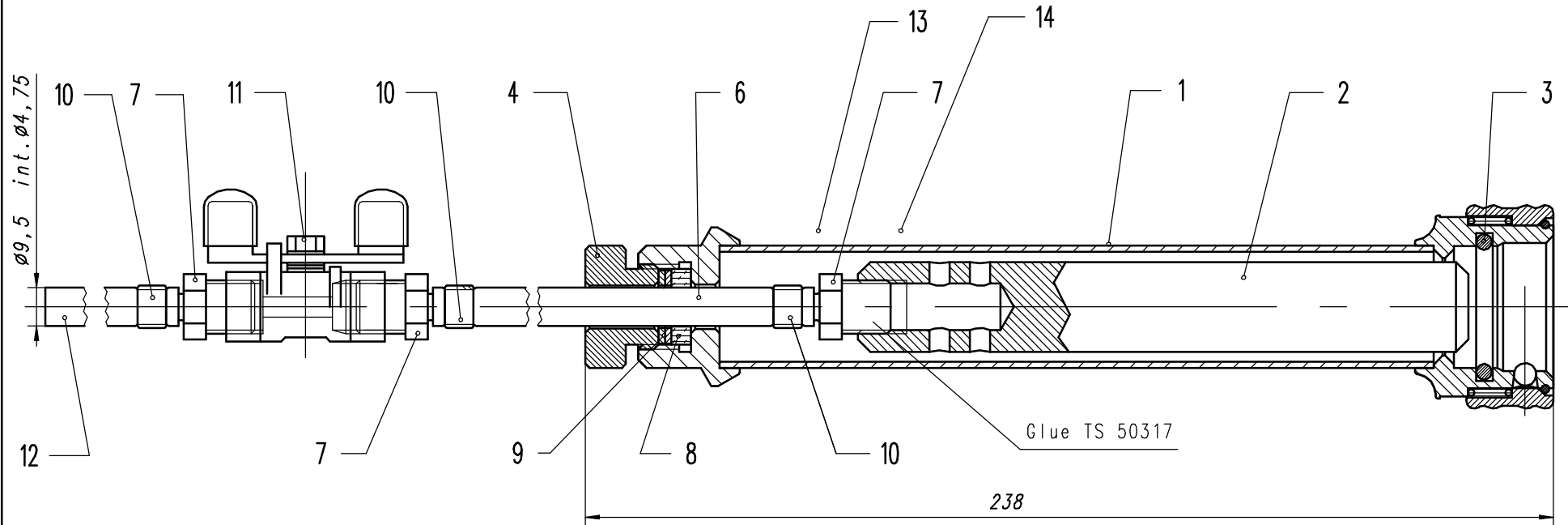
	ND	TS	DESCRIPTION
	30276	10070	OXY 15m Tanol hose St.St. 1"
	30408	10011	OXY 15m Tanol hose 1"
	30409	10012	OXY 30m Tanol hose 1"
	30413	10009	OXY without hose
	30414	10071	OXY 30m Tanol hose St.St. 1"
	41039	22564	Adaptor 1 1/2"



All parts bonded with TS 50317

Item	Qt	Weight	Description	Material	TS #	ND #
1	1	4	O-Ring Ø29.75x3.53	FFKM	11147	
2	1	4.93	Storage tube 1" Oxy Press Dip 1	AISI 304	16010	30595
4	1	4.49	Weight stainless steel	AISI 316	16005	40487
6	1	60	Wheel G 1/2"	AISI 316	16007	40489
7	1	2	Seal	NBR	16520	
8	2	10	Pressure water 10.5/18 x 1.6	A2	16521	
9	1	59	Valve G1/4" female cylindrical thread	-	20151	41094
10	0	2	Clip inox 9-11 14	AISI 304	16519	
10	2	20	Hose nipple	AISI 304	16518	
11	3	2	Clip inox 9-11 14	AISI 304	16519	
12	1	1140	Tanol hose 15m	Tanol	16514	
13	1	160	Tanol hose 3m	Tanol	16511	
14	1	1	Label "Oxy"	-	50009	40347
15	1	5	Label "Tanksystem"	-	50006	40343

2 3.7.02 cpi Item 9 -> DIN 433 M10 2 5.3.1999 cpi TS 16517 -> TS 20151 Is Date Visa Modification	TOLERANCES UNLESS OTHERWISE SPECIFIED						Weight:		ISSUE 2 : 3.7.2002 MPSA 4110 Replacement for: ND Replaced by: ND TS 10070 ND 30276 REF ND		
	Norm. Size		Over		6	30	100	300		1000	2505 Eff. 1:2
	Fit		To		6	30	100	300		1000	
	Fine		±		0,05	0,1	0,15	0,2		0,3	
REMOVE ALL BURRS AND SHARP EDGES						Control:		HERMeTic OXY OXY 15m Tanol hose St.St. 1'			
Drawn:		CPI 08.06.1994				Control:					
This drawing is our property and must not without our permission be copied or made available to others. The receiver is responsible for every misuse.											
Enraf Tanksystem SA RUE DE L'INDUSTRIE 2 CH-1630 BULLE Tel. +41 26 91 91 500 - Fax +41 26 91 91 505											



Item	Qt	Weight	Description	Material	TS #	ND #
1	1	493	Storage tube 1" Oxy Press Dip 1	AISI 304	16010	30595
2	1	439	Weight	Brass	16002	40219
3	1	2	O-Ring Ø29.7x3.5	Viton	11132	-
4	1	60	Wheel G 1/2"	AISI 316	16007	40489
6	1	1140	Tanol hose 15m	Tanol	16514	-
7	3	19	Hose nipple	Brass	16500	-
8	1	2	Seal	NBR	16520	-
9	2	10	Pressure washer 10.5/18 x 1.6	A2	16521	-
10	3	3	Hose clip	-	16507	-
11	1	59	Valve G1/4" female cylindrical thread	-	20151	41094
12	1	160	Tanol hose 3m	Tanol	16511	-
13	1	1	Label "Oxy"	-	50009	40347
14	1	5	Label "Tankssystem"	-	50006	40343

Norm. Size	Over	6	30	100	300	1000	Angles
Fit	To	6	30	100	300	1000	2000
Fine	±	0,05	0,1	0,15	0,2	0,3	0,5
							0,1*

REMOVE ALL BURRS AND SHARP EDGES

Drawn: CPI 06.06.1994 Control:

Weight: 2447 Th. 2445 Eff.

ISSUE 3 : 3.7.2002

MPSA 3110

Replacement for: ND A-307.0.00 Replaced by: ND

HERMeTic OXY
OXY 15m Tanol hose 1'

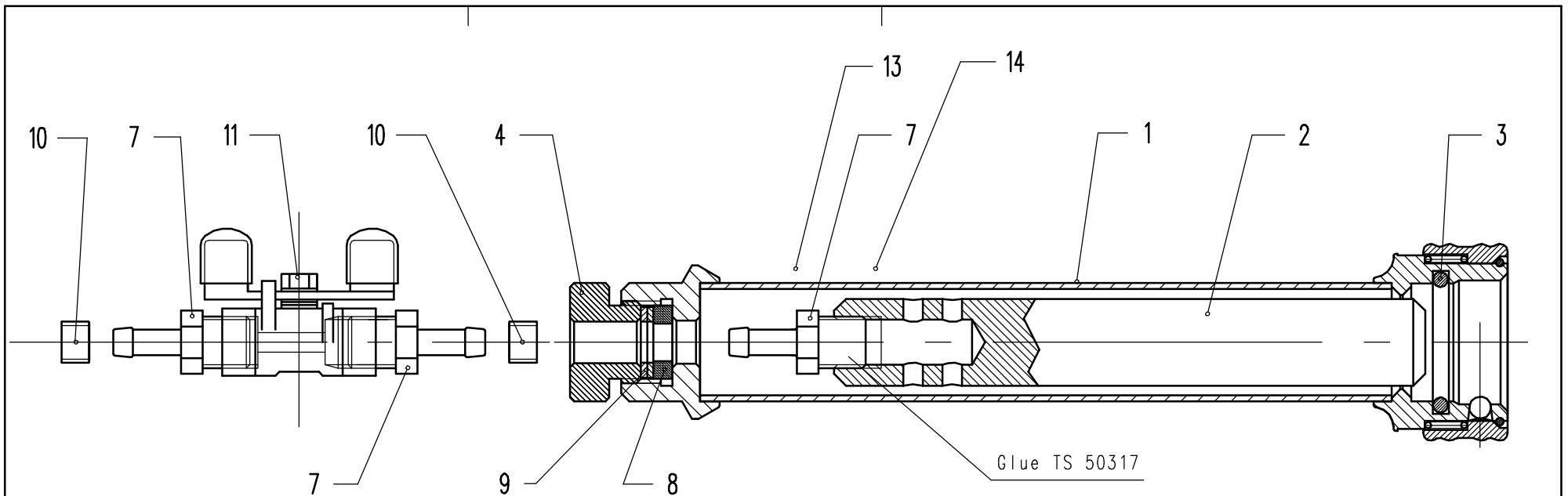
TS 10011
ND 30408

REF ND

This drawing is our property and must not without our permission be copied or made available to others. The receiver is responsible for every misuse.

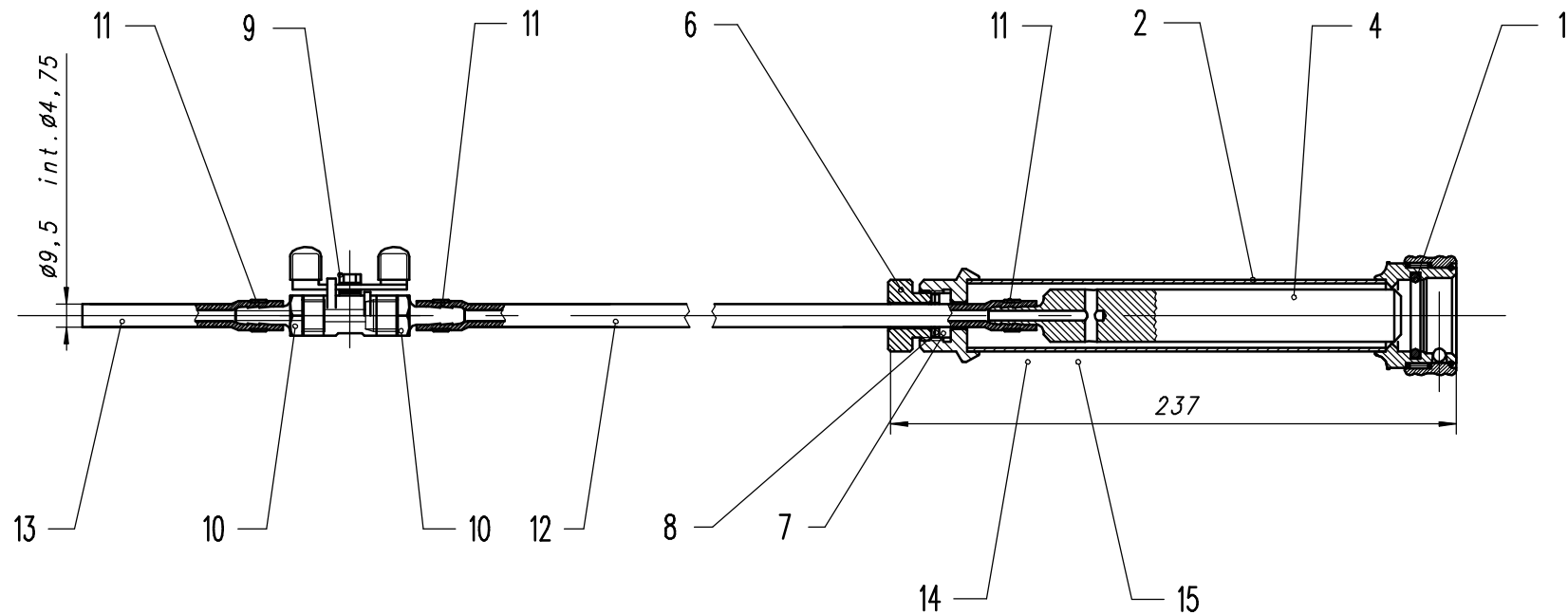
Enraf Tankssystem SA
RUE DE L'INDUSTRIE 2 CH-1630 BULLE
Tel. +41 26 91 91 500 - Fax +41 26 91 91 505

3 3.7.02 Item 9 -> DIN 433 M10
3 12.12.01 cpi Ajout washer
Is Date Visa Modification



Item	Qt	Weight	Description	Material	TS #	ND #
1	1	493	Storage tube 1" Oxy Press Dip 1	AISI 304	16010	30595
2	1	439	Weight	Brass	16002	40219
3	1	2	O-Ring Ø29.7x3.5	Viton	11132	-
4	1	60	Wheel G 1/2"	AISI 304	16007	40489
7	3	19	Hose nipple	Brass	16500	
8	1	2	Seal	NBR	16520	
9	2	10	Pressure washer 10.5/18 x 1.6	AZ	16521	
10	3	3	Hose clip	-	16507	
11	1	59	Valve G1/4" female cylindrical thread	-	20151	41094
13	1	1	Label "Oxy"	-	50009	40347
14	1	5	Label "Enraf Tanksystem"	-	50006	40343

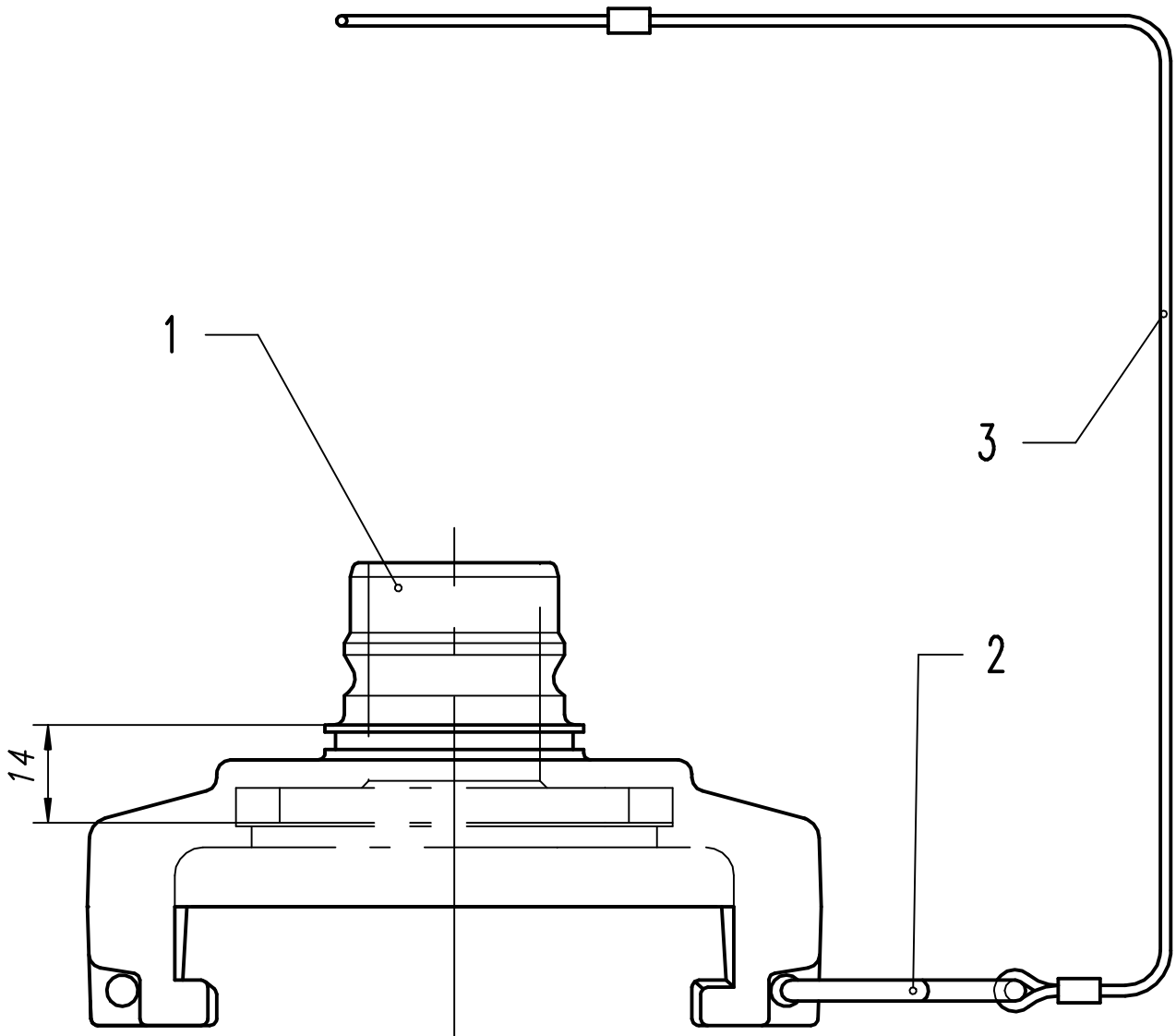
3 3.7.02 3 12.12.01 Is Date	Item 9 -> DIN 433 M10 cpi cpi Date	TOLERANCES UNLESS OTHERWISE SPECIFIED						Weight: 1147 Th. 1150 Eff.	ISSUE 3 : 3.7.2002	
		Norm. Size	Over	6	30	100	300			1000
		Fit	To	6	30	100	300	1000	2000	
		Fine	±	0,05	0,1	0,15	0,2	0,3	0,5	0,1*
REMOVE ALL BURRS AND SHARP EDGES								1:1		
Drawn: CPI 06.06.1994				Control:						MPSA 3110
HERMeTic OXY OXY without hose								Replacement for: ND	Replaced by: ND	
								TS 10009 ND 30413		
								REF ND		
This drawing is our property and must not without our permission be copied or made available to others. The receiver is responsible for every misuse.								Enraf Tanksystem SA <small>RUE DE L'INDUSTRIE 2 CH-1630 BULLE Tel. +41 26 91 91 500 - Fax +41 26 91 91 505</small>		



All parts bonded with TS 50317

Item	Qt	Weight	Description	Material	TS #	ND #
1	1	4	O-Ring Ø29.75x3.53	FFKM	11147	
2	1	4.93	Storage tube 1" Oxy Press Dip 1	AISI 304	16010	30595
4	1	4.49	Weight stainless steel	AISI 316	16005	40487
6	1	60	Wheel G 1/2"	AISI 316	16007	40489
7	1	2	Seal	NBR	16520	
8	2	10	Pressure water 10.5/18 x 1.6	A2	16521	
9	1	59	Valve G1/4" female cylindrical thread	-	20151	41094
10	0	2	Clip inox 9-11 14	AISI 304	16519	
10	2	20	Hose nipple	AISI 304	16518	
11	3	2	Clip inox 9-11 14	AISI 304	16519	
12	1	2100	Tanol hose 30m	Tanol	16515	
13	1	160	Tanol hose 3m	Tanol	16511	
14	1	1	Label "Oxy"	-	50009	40347
15	1	5	Label "Tanksystem"	-	50006	40343

2 3.7.02 2 5.3.1999 Is Date Item 9 -> DIN 433 M10 TS 16517 -> TS 20151 Visa Modification	TOLERANCES UNLESS OTHERWISE SPECIFIED						Weight:		ISSUE 2 : 3.7.2002 MPSA 4110 Replacement for: ND Replaced by: ND TS 10071 ND 30414 REF ND Enraf Tanksystem SA <small>RUE DE L'INDUSTRIE 2 CH-1630 BULLE Tel. +41 26 91 91 500 - Fax +41 26 91 91 505</small>			
	Norm. Size		Over		6	30	100	300		1000	3655 Eff. 1:2	
	Fit		To	6	30	100	300	1000		2000		Angles
	Fine		±	0,05	0,1	0,15	0,2	0,3		0,5		0,1*
REMOVE ALL BURRS AND SHARP EDGES						Control:		HERMeTic OXY OXY 30m Tanol hose St.St. 1'				
Drawn:		CPI 08.06.1994				Control:						
This drawing is our property and must not without our permission be copied or made available to others. The receiver is responsible for every misuse.												



Item	Qt	Weight	Description	Material	TS #	ND #
1	1	400	Connector 1" - 2" FKM	-	22563	41032
2	1	5	S Holder	AISI 304	11902	40537
3	1	4	Cable assy	-	55112	40525

TOLERANCES UNLESS OTHERWISE SPECIFIED

Norm. Size	Over	6	30	100	300	1000	Angles	
Fit	To	6	30	100	300	1000	2000	
Fine	±	0,05	0,1	0,15	0,2	0,3	0,5	0,1°

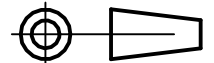
Weight:
409 Th.
0 Eff.

ISSUE 1 : 14.3.1997

REMOVE ALL BURRS AND SHARP EDGES

1:1

MPSA
4110



Drawn:
UPR 14.03.1997

Control:

Replacement for:
ND

Replaced by:
ND

Valves

Adaptor 1"-2"

TS 22564

ND 41039

REF ND

Is Date
Visa Modification

This drawing is our property and must not without our permission be copied or made available to others.
The receiver is responsible for every misuse.

Enraf Tanksystem SA

RUE DE L'INDUSTRIE 2 CH-1630 BULLE
Tel. +41 26 91 91 500 - Fax +41 26 91 91 505